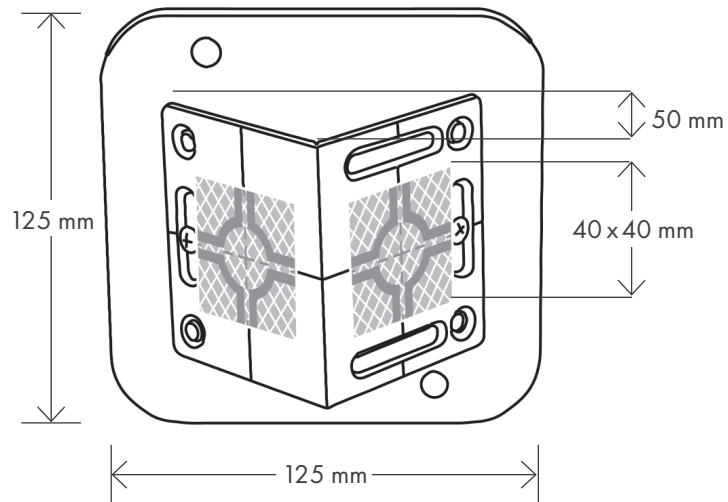


Edelstahl-Adapter in V4A RSAM80

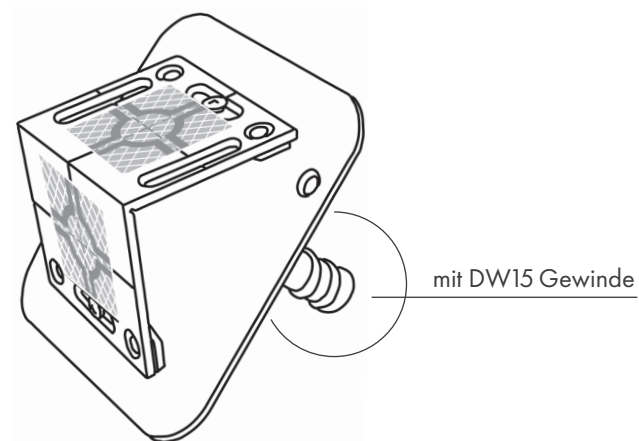
Metal Adapter in stainless steel RSAM80



Reflexzielmarken / reflective targets 40 x 40 mm

Edelstahl-Adapter in V4A RSAMG80

Metal Adapter in stainless steel RSAMG80



125 mm x 125 mm x 125 mm inkl. Gewinde / incl. thread

Reflexzielmarken / reflective targets 40 x 40 mm