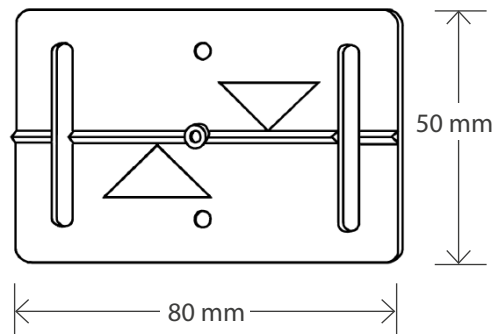


Meterriss- und Achs-Plaketten RS10 & RS11

Datum Marker for finished floor level (FFL) and axes RS10 & RS11



Meterriss- und Achs-Plaketten RS20 & RS21

Datum Marker for finished floor level (FFL) and axes RS20 & RS21

